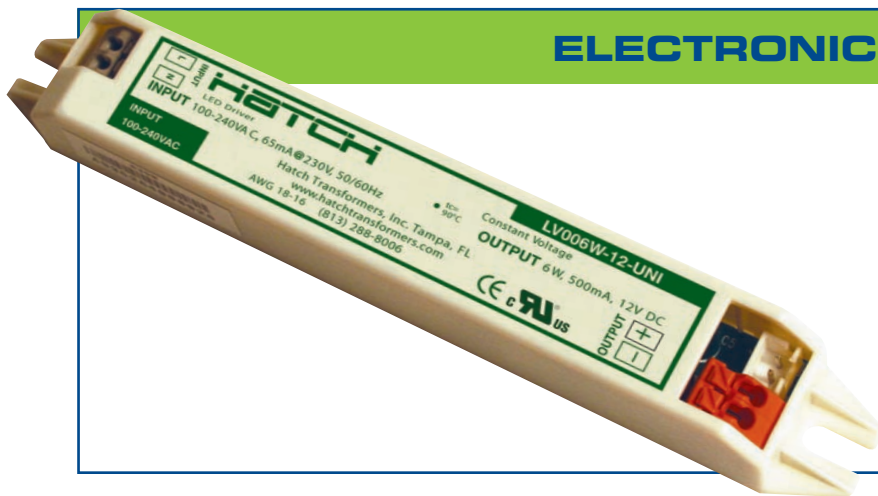
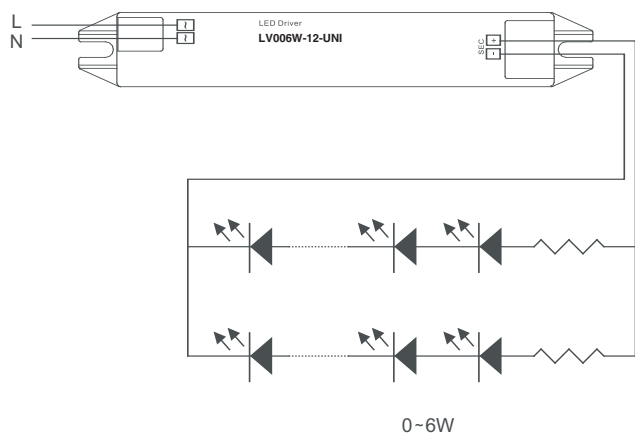


ELECTRONIC SPECIFICATIONS

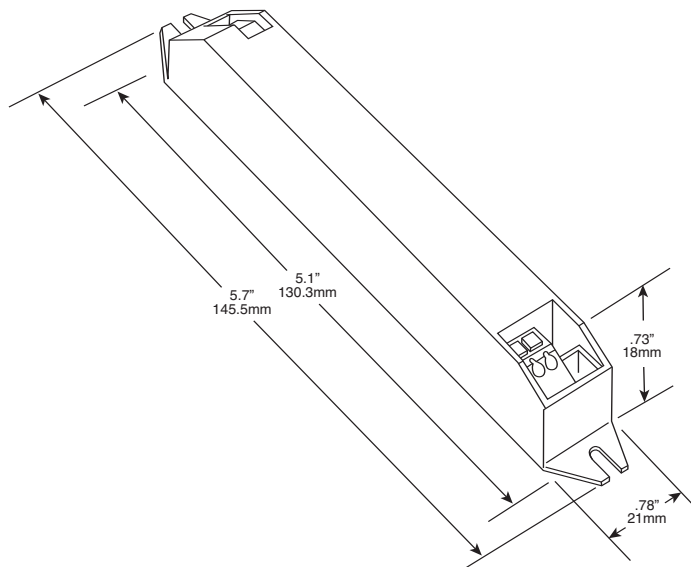


Input Voltage Range	90-264VAC
Input Frequency	50/60Hz
Output Power	6W
Input Current	65mA@230VAC
Output Voltage	12VDC
Output Current	500mA
Power Factor	0.55
Ambient Temp.	-20°+50°C
Case Temp. (Tc)	+90°C
SELV Equivalent	Yes

WIRING DIAGRAM



DIMENSIONS



LED TYPE

Regular LED 0.04-0.1W

Terminal Block	:	Push Button, Angled Entry
Case Material	:	Polycarbonate
RoHS Compliant	:	Yes
UL1310 Compliant	:	Yes
Indoor	:	Low Humidity / No Condensation

Regulatory Approvals

