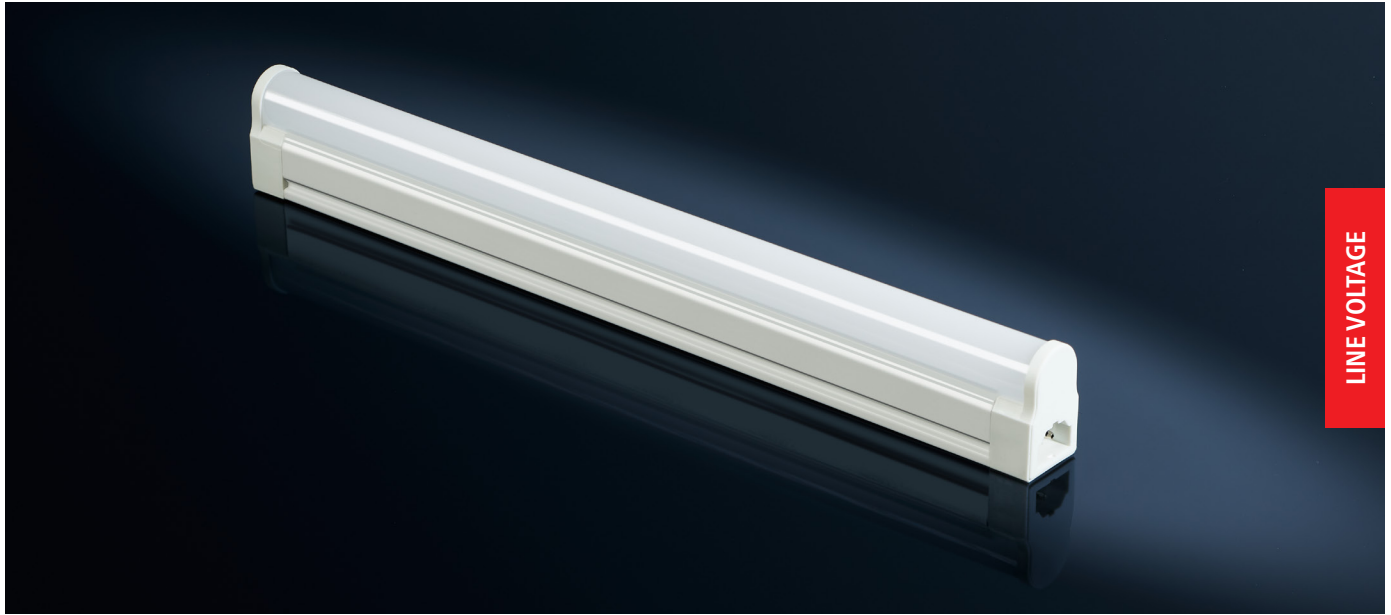


ELite-LED



Product Description

Economically Priced Light Fixture with Integrated Driver

Elite-LED is a T5 LED light fixture with integrated driver and versatile connecting options, making it ideal for new installations or retrofits. Providing the same brightness as T5 fluorescents but with half the energy usage and more than twice the lifetime, makes ELite-LED a solution with a rapid ROI.

Product Features

- Available sizes:
 - 1' (5 W)
 - 2' (7.5 W)
 - 3' (9 W)
 - 4' (12 W)
 - 5' (14 W)
- Available color temperatures:
 - 3000 K
 - 4000 K
 - Additional color temperatures (special order)
- 120 Vac LED with integrated electronic driver
- DLC 5.1 QPL listed
- Line Voltage Dimmable with compatible LED wall dimmer
- Finish: White housing with frosted lens
- Fixtures can interconnect with direct connectors or accessory cables
- Interconnect up to 400 W in one run
- Optional hardwire box available
- Magnetic mounting clips are available
- 277 V option available by special order
- 50,000 hours usable life
- Good CRI >80
- Efficacy >122 lm/W



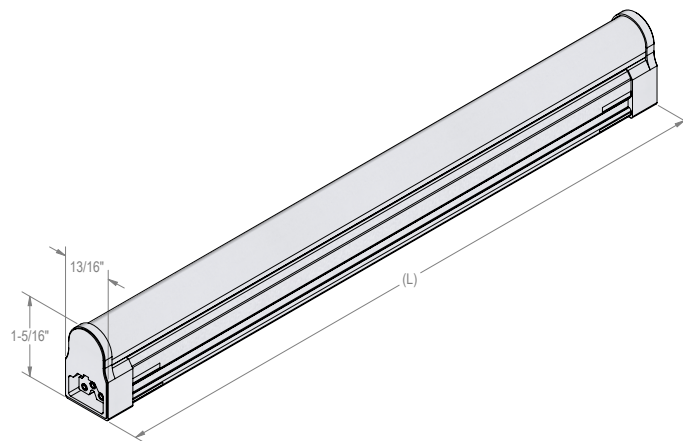


Available Options

Necessary Accessories on Page 14

MODEL	LENGTH	POWER	LIGHT OUTPUT	EFFICACY	CRI	MAX CONNECTED	PART NO. (3000 K)	PART NO. (4000 K)
ELite-LED 1'	11"	5 W	649 Lm	122 lm/W	>80	100 pcs	EL/LED/12/WW	EL/LED/12/CW
ELite-LED 2'	21 3/16"	7.5 W	949 Lm	126 lm/W	>80	62 pcs	EL/LED/22/WW	EL/LED/22/CW
ELite-LED 3'	33"	9 W	1296 Lm	144 lm/W	>80	50 pcs	EL/LED/34/WW	EL/LED/34/CW
ELite-LED 4'	44 13/16"	12 W	1644 Lm	137 lm/W	>80	35 pcs	EL/LED/46/WW	EL/LED/46/CW
ELite-LED 5'	56 5/8"	14 W	1991 Lm	142 lm/W	>80	30 pcs	EL/LED/59/WW	EL/LED/59/CW

Dimensions



Line Voltage Accessories

ELite-LED / ELite-LED HO

Power Cords

FINISH	LENGTH	PART NO.
White	12"	EL/LED/PC12
White	36"	EL/LED/PC36
White	48"	EL/LED/PC48
White	72"	EL/LED/PC72
White	96"	EL/LED/PC96
White	132"	EL/LED/PC132
White	144"	EL/LED/PC144
Black	12"	EL/LED/PC12/BL
Black	144"	EL/LED/PC144/BL
White, 90 Deg. Up	72"	EL/LED/PC72/90
White, 90 Deg. Up	144"	EL/LED/PC144/90
White, 90 Deg. Up	180"	EL/LED/PC180/90
Black, 90 Deg. Down	72"	EL/LED/PC72/SP
White, with switch	96"	EL/LED/PC96/S2
White, with switch	240"	EL/LED/PC240/S2

Connecting Cables, 90 degree Plugs

FINISH	LENGTH	PART NO.
White, 90 Deg. Up	3"	EL/LED/CC3/90
White, 90 Deg. Up	6"	EL/LED/CC6/90
White, 90 Deg. Up	9"	EL/LED/CC9/90
White, 90 Deg. Up	12"	EL/LED/CC12/90
White, 90 Deg. Up	24"	EL/LED/CC24/90
White, 90 Deg. Up	36"	EL/LED/CC36/90
White, 90 Deg. Up	48"	EL/LED/CC48/90
White, 90 Deg. Up	72"	EL/LED/CC72/90
White, 90 Deg. Up	96"	EL/LED/CC96/90
White, 90 Deg. Up	144"	EL/LED/CC144/90
White, 90 Deg. Down	6"	EL/LED/CC6/SP
White, 90 Deg. Down	12"	EL/LED/CC12/SP
White, 90 Deg. Down	24"	EL/LED/CC24/SP

Connecting Cables, Straight Plugs

FINISH	LENGTH	PART NO.
White	3"	EL/LED/CC3
White	6"	EL/LED/CC6
White	12"	EL/LED/CC12
White	24"	EL/LED/CC24
White	36"	EL/LED/CC36
White	48"	EL/LED/CC48
White	72"	EL/LED/CC72
White	96"	EL/LED/CC96
White	144"	EL/LED/CC144
Black	6"	EL/LED/CC6/BL
Black	12"	EL/LED/CC12/BL
Direct Connector		EL/LED/DC

Optional Accessories

ACCESSORIES	PART NO.
Hardwire Box	EL/LED/HWB
Hardwire Box, switch	EL/LED/HWB/S
Mounting Clip with screw	EL/LED/MC
Magnetic mounting clip	EL/LED/MC/MAGNET
Magnetic mounting clip, 90 Deg.	EL/LED/MC/90/MAGNET
Magnetic mounting clip, swivel, 0-45	EL/LED/MC/SMS