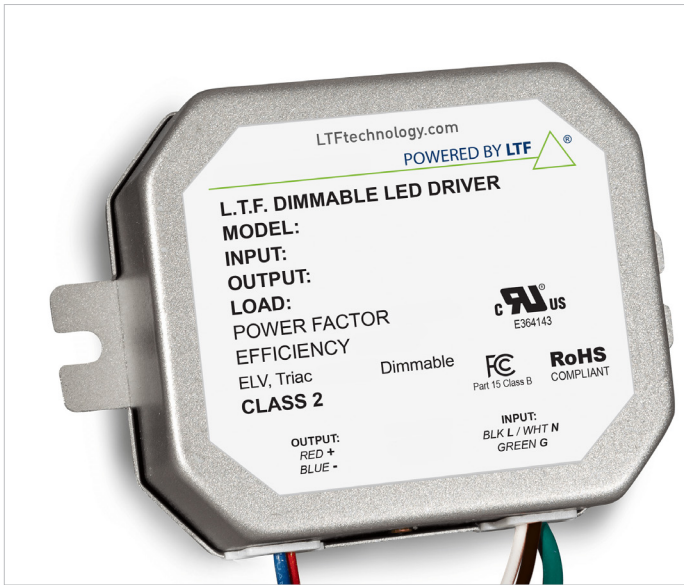


20W DA20W 120V Series

Constant Current / Constant Voltage



Efficiency	>85%
Power Factor	>0.95
Case TC	90°C Max.
Protection	Input / Output
Storage	-30°C / +90°C
Humidity	95% RH Max.
IP Rating	IP 60, 65, 67
Class	Class 2 Power Supply
Dimming	ELV, TRIAC Dimmable
Optional Dimming	0-10V, DALI



FEATURES

- Isolated output power per NEC and UL safety requirements
- UL and ETL recognized/Listed, UL8750, 1310
- Auto-reset; Short circuit, overload and thermal protection
- Dimmable with ELV and TRIAC type dimmers
- Aluminum casing for optimal heat dissipation
- Low profile, small form factor, junction box mountable
- Flicker free dimming and excellent dimming range
- Class 2 power supply and other than Class 2 options
- Efficient, high power factor, low THD, FCC compliant

CONSTANT CURRENT					
Model Number	Input Voltage	Wattage	Output Voltage	Output Current	Available Form Factor
DA20W440C	120V AC 50/60Hz	20W	56.9V DC	440mA	SM1, BF, BF1, F2, F3, MB2
DA20W500C		20W	50.0V DC	500mA	SM1, BF, BF1, F2, F3, MB2
DA20W550C		20W	45.5V DC	550mA	SM1, BF, BF1, F2, F3, MB2
DA20W620C		20W	40.4V DC	620mA	SM1, BF, BF1, F2, F3, MB2
DA20W700C		20W	35.8V DC	700mA	SM1, BF, BF1, F2, F3, MB2
DA20W750C		20W	33.4V DC	750mA	SM1, BF, BF1, F2, F3, MB2
DA20W780C		20W	32.1V DC	780mA	SM1, BF, BF1, F2, F3, MB2
DA20W900C		20W	27.8V DC	900mA	SM1, BF, BF1, F2, F3, MB2
DA20W950C		20W	26.4V DC	950mA	SM1, BF, BF1, F2, F3, MB2
DA20W980C		20W	25.6V DC	980mA	SM1, BF, BF1, F2, F3, MB2

CONSTANT CURRENT

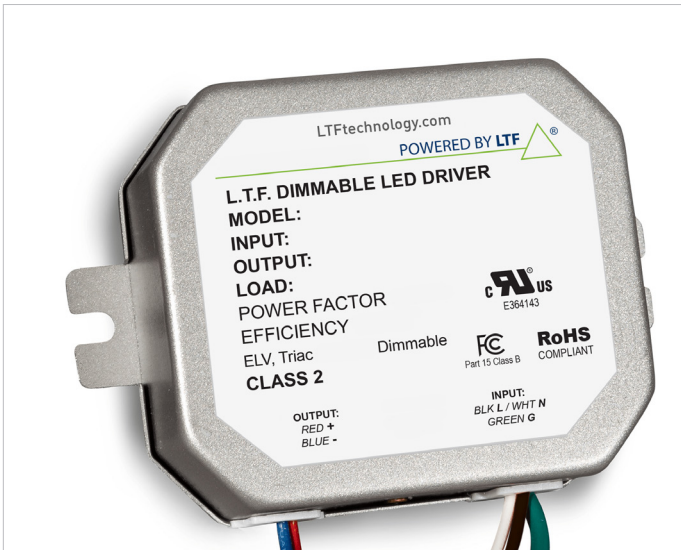
Model Number	Input Voltage	Wattage	Output Voltage	Output Current	Available Form Factor
DA20W1000C	120V AC 50/60Hz	20W	25.0V DC	1000mA	SM1, BF, BF1, F2, F3, MB2
DA20W1050C		20W	23.9V DC	1050mA	SM1, BF, BF1, F2, F3, MB2
DA20W1100C		20W	22.8V DC	1100mA	SM1, BF, BF1, F2, F3, MB2
DA20W1130C		20W	22.2V DC	1130mA	SM1, BF, BF1, F2, F3, MB2
DA20W1180C		20W	20.9V DC	1180mA	SM1, BF, BF1, F2, F3, MB2
DA20W1250C		20W	20.0V DC	1250mA	SM1, BF, BF1, F2, F3, MB2
DA20W1280C		20W	19.6V DC	1280mA	SM1, BF, BF1, F2, F3, MB2
DA20W1300C		20W	19.3V DC	1300mA	SM1, BF, BF1, F2, F3, MB2
DA20W1350C		120V AC 50/60Hz	20W	18.6V DC	1350mA
DA20W1400C	20W		17.9V DC	1400mA	SM1, BF, BF1, F2, F3, MB2
DA20W1420C	20W		17.7V DC	1420mA	SM1, BF, BF1, F2, F3, MB2
DA20W1480C	20W		16.9V DC	1480mA	SM1, BF, BF1, F2, F3, MB2
DA20W1500C	20W		16.7V DC	1500mA	SM1, BF, BF1, F2, F3, MB2
DA20W1550C	20W		16.2V DC	1550mA	SM1, BF, BF1, F2, F3, MB2
DA20W1600C	20W		15.7V DC	1600mA	SM1, BF, BF1, F2, F3, MB2
DA20W1680C	20W		14.9V DC	1680mA	SM1, BF, BF1, F2, F3, MB2
DA20W1700C	120V AC 50/60Hz		20W	14.8V DC	1700mA
DA20W1750C		20W	14.3V DC	1750mA	SM1, BF, BF1, F2, F3, MB2
DA20W1820C		20W	13.8V DC	1820mA	SM1, BF, BF1, F2, F3, MB2
DA20W1900C		20W	13.2V DC	1900mA	SM1, BF, BF1, F2, F3, MB2
DA20W2000C		20W	12.5V DC	2000mA	SM1, BF, BF1, F2, F3, MB2
DA20W2050C		20W	12.2V DC	2050mA	SM1, BF, BF1, F2, F3, MB2
DA20W2100C		20W	11.9V DC	2100mA	SM1, BF, BF1, F2, F3, MB2
DA20W2200C		20W	11.4V DC	2200mA	SM1, BF, BF1, F2, F3, MB2
DA20W2350C		20W	10.7V DC	2350mA	SM1, BF, BF1, F2, F3, MB2
DA20W2400C	120V AC 50/60Hz	20W	10.5V DC	2400mA	SM1, BF, BF1, F2, F3, MB2
DA20W2450C		20W	10.3V DC	2450mA	SM1, BF, BF1, F2, F3, MB2
DA20W2500C		20W	10.0V DC	2500mA	SM1, BF, BF1, F2, F3, MB2

CONSTANT VOLTAGE

Model Number	Input Voltage	Wattage	Output Voltage	Output Current	Available Form Factor
DA20W12V	120V AC 50/60Hz	20W	12V DC	2080mA	SM1, BF, BF1, F2, F3, MB2, PL1DM
DA20W24V		20W	24V DC	1040mA	SM1, BF, BF1, F2, F3, MB2, PL1DM

20W DE20W 277V Series

Constant Current / Constant Voltage



Efficiency	>85%
Power Factor	>0.95
Case TC	90°C Max.
Protection	Input / Output
Storage	-30°C / +90°C
Humidity	95% RH Max.
IP Rating	IP 60, 65, 67
Class	Class 2 Power Supply
Dimming	ELV, TRIAC Dimmable
Optional Dimming	0-10V, DALI



- Isolated output power per NEC and UL safety requirements
- UL and ETL recognized/Listed, UL8750, 1310
- Auto-reset; Short circuit, overload and thermal protection
- Dimmable with ELV and TRIAC type dimmers

FEATURES

- Aluminum casing for optimal heat dissipation
- Low profile, small form factor, junction box mountable
- Flicker free dimming and excellent dimming range
- Class 2 power supply and other than Class 2 options
- Efficient, high power factor, low THD, FCC compliant

MODEL SPECIFICATIONS

CONSTANT CURRENT					
Model Number	Input Voltage	Wattage	Output Voltage	Output Current	Available Form Factor
DE20W440C	277V AC 50/60Hz	20W	56.9V DC	440mA	SM1, BF, BF1, F2, F3, MB2
DE20W500C		20W	50.0V DC	500mA	SM1, BF, BF1, F2, F3, MB2
DE20W550C		20W	45.5V DC	550mA	SM1, BF, BF1, F2, F3, MB2
DE20W620C		20W	40.4V DC	620mA	SM1, BF, BF1, F2, F3, MB2
DE20W700C		20W	35.8V DC	700mA	SM1, BF, BF1, F2, F3, MB2
DE20W750C		20W	33.4V DC	750mA	SM1, BF, BF1, F2, F3, MB2
DE20W780C		20W	32.1V DC	780mA	SM1, BF, BF1, F2, F3, MB2
DE20W900C		20W	27.8V DC	900mA	SM1, BF, BF1, F2, F3, MB2
DE20W950C		20W	26.4V DC	950mA	SM1, BF, BF1, F2, F3, MB2
DE20W980C		20W	25.6V DC	980mA	SM1, BF, BF1, F2, F3, MB2

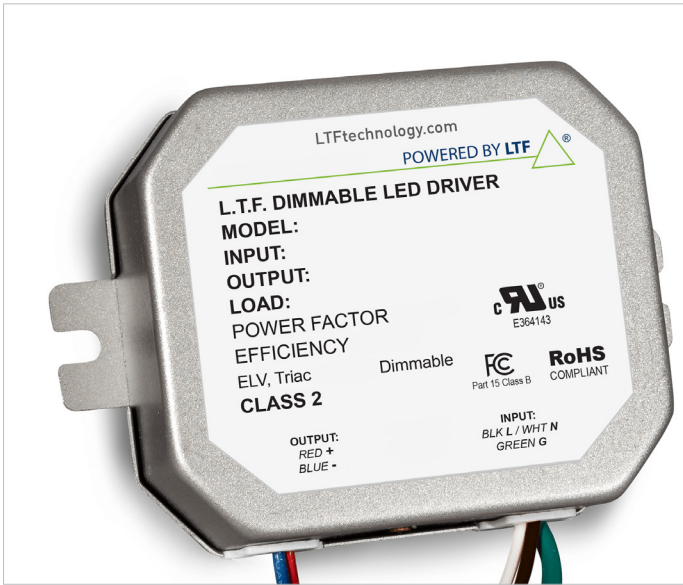
CONSTANT CURRENT					
Model Number	Input Voltage	Wattage	Output Voltage	Output Current	Available Form Factor
DE20W1000C	277V AC 50/60Hz	20W	25.0V DC	1000mA	SM1, BF, BF1, F2, F3, MB2
DE20W1050C		20W	23.9V DC	1050mA	SM1, BF, BF1, F2, F3, MB2
DE20W1100C		20W	22.8V DC	1100mA	SM1, BF, BF1, F2, F3, MB2
DE20W1130C		20W	22.2V DC	1130mA	SM1, BF, BF1, F2, F3, MB2
DE20W1180C		20W	20.9V DC	1180mA	SM1, BF, BF1, F2, F3, MB2
DE20W1250C		20W	20.0V DC	1250mA	SM1, BF, BF1, F2, F3, MB2
DE20W1280C		20W	19.6V DC	1280mA	SM1, BF, BF1, F2, F3, MB2
DE20W1300C		20W	19.3V DC	1300mA	SM1, BF, BF1, F2, F3, MB2
DE20W1350C		20W	18.6V DC	1350mA	SM1, BF, BF1, F2, F3, MB2
DE20W1400C		277V AC 50/60Hz	20W	17.9V DC	1400mA
DE20W1420C	20W		17.7V DC	1420mA	SM1, BF, BF1, F2, F3, MB2
DE20W1480C	20W		16.9V DC	1480mA	SM1, BF, BF1, F2, F3, MB2
DE20W1500C	20W		16.7V DC	1500mA	SM1, BF, BF1, F2, F3, MB2
DE20W1550C	20W		16.2V DC	1550mA	SM1, BF, BF1, F2, F3, MB2
DE20W1600C	20W		15.7V DC	1600mA	SM1, BF, BF1, F2, F3, MB2
DE20W1680C	20W		14.9V DC	1680mA	SM1, BF, BF1, F2, F3, MB2
DE20W1700C	20W		14.8V DC	1700mA	SM1, BF, BF1, F2, F3, MB2
DE20W1750C	20W		14.3V DC	1750mA	SM1, BF, BF1, F2, F3, MB2
DE20W1820C	20W		13.8V DC	1820mA	SM1, BF, BF1, F2, F3, MB2
DE20W1900C	277V AC 50/60Hz	20W	13.2V DC	1900mA	SM1, BF, BF1, F2, F3, MB2
DE20W2000C		20W	12.5V DC	2000mA	SM1, BF, BF1, F2, F3, MB2
DE20W2050C		20W	12.2V DC	2050mA	SM1, BF, BF1, F2, F3, MB2
DE20W2100C		20W	11.9V DC	2100mA	SM1, BF, BF1, F2, F3, MB2
DE20W2200C		20W	11.4V DC	2200mA	SM1, BF, BF1, F2, F3, MB2
DE20W2350C		20W	10.7V DC	2350mA	SM1, BF, BF1, F2, F3, MB2
DE20W2400C		20W	10.5V DC	2400mA	SM1, BF, BF1, F2, F3, MB2
DE20W2450C		20W	10.3V DC	2450mA	SM1, BF, BF1, F2, F3, MB2
DE20W2500C		20W	10.0V DC	2500mA	SM1, BF, BF1, F2, F3, MB2

CONSTANT VOLTAGE					
Model Number	Input Voltage	Wattage	Output Voltage	Output Current	Available Form Factor
DE20W12V	277V AC 50/60Hz	20W	12V DC	2000mA	SM3, BF, BF1, F2, F3,*
DE20W24V		20W	24V DC	1000mA	SM3, BF, BF1, F2, F3,*

* Please contact about PL1DM form factor option

20W DU20W 220-240V Series

Constant Current / Constant Voltage



Efficiency	>85%
Power Factor	>0.95
Case TC	90°C Max.
Protection	Input / Output
Storage	-30°C / +90°C
Humidity	95% RH Max.
IP Rating	IP 60, 65, 67
Class	Class 2 Power Supply
Dimming	ELV, TRIAC Dimmable
Optional Dimming	0-10V, DALI



- Isolated output power per NEC and UL safety requirements
- UL and ETL recognized/Listed, UL8750, 1310
- Auto-reset; Short circuit, overload and thermal protection
- Dimmable with ELV and TRIAC type dimmers

FEATURES

- Aluminum casing for optimal heat dissipation
- Low profile, small form factor, junction box mountable
- Flicker free dimming and excellent dimming range
- Class 2 power supply and other than Class 2 options
- Efficient, high power factor, low THD, FCC compliant

MODEL SPECIFICATIONS

CONSTANT CURRENT					
Model Number	Input Voltage	Wattage	Output Voltage	Output Current	Available Form Factor
DU20W440C	220-240V AC 50/60Hz	20W	56.9V DC	440mA	SM1, BF, BF1, F2, F3, MB2
DU20W500C		20W	50.0V DC	500mA	SM1, BF, BF1, F2, F3, MB2
DU20W550C		20W	45.5V DC	550mA	SM1, BF, BF1, F2, F3, MB2
DU20W620C		20W	40.4V DC	620mA	SM1, BF, BF1, F2, F3, MB2
DU20W700C		20W	35.8V DC	700mA	SM1, BF, BF1, F2, F3, MB2
DU20W750C		20W	33.4V DC	750mA	SM1, BF, BF1, F2, F3, MB2
DU20W780C		20W	32.1V DC	780mA	SM1, BF, BF1, F2, F3, MB2
DU20W900C		20W	27.8V DC	900mA	SM1, BF, BF1, F2, F3, MB2
DU20W950C		20W	26.4V DC	950mA	SM1, BF, BF1, F2, F3, MB2
DU20W980C		20W	25.6V DC	980mA	SM1, BF, BF1, F2, F3, MB2

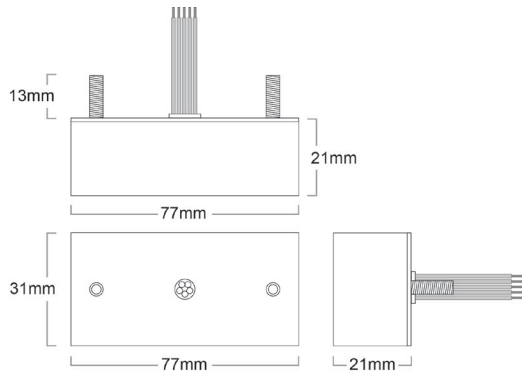
CONSTANT CURRENT					
Model Number	Input Voltage	Wattage	Output Voltage	Output Current	Available Form Factor
DU20W1000C	220-240V AC 50/60Hz	20W	25.0V DC	1000mA	SM1, BF, BF1, F2, F3, MB2
DU20W1050C		20W	23.9V DC	1050mA	SM1, BF, BF1, F2, F3, MB2
DU20W1100C		20W	22.8V DC	1100mA	SM1, BF, BF1, F2, F3, MB2
DU20W1130C		20W	22.2V DC	1130mA	SM1, BF, BF1, F2, F3, MB2
DU20W1180C		20W	20.9V DC	1180mA	SM1, BF, BF1, F2, F3, MB2
DU20W1250C		20W	20.0V DC	1250mA	SM1, BF, BF1, F2, F3, MB2
DU20W1280C		20W	19.6V DC	1280mA	SM1, BF, BF1, F2, F3, MB2
DU20W1300C		20W	19.3V DC	1300mA	SM1, BF, BF1, F2, F3, MB2
DU20W1350C		220-240V AC 50/60Hz	20W	18.6V DC	1350mA
DU20W1400C	20W		17.9V DC	1400mA	SM1, BF, BF1, F2, F3, MB2
DU20W1420C	20W		17.7V DC	1420mA	SM1, BF, BF1, F2, F3, MB2
DU20W1480C	20W		16.9V DC	1480mA	SM1, BF, BF1, F2, F3, MB2
DU20W1500C	20W		16.7V DC	1500mA	SM1, BF, BF1, F2, F3, MB2
DU20W1550C	20W		16.2V DC	1550mA	SM1, BF, BF1, F2, F3, MB2
DU20W1600C	20W		15.7V DC	1600mA	SM1, BF, BF1, F2, F3, MB2
DU20W1680C	20W		14.9V DC	1680mA	SM1, BF, BF1, F2, F3, MB2
DU20W1700C	220-240V AC 50/60Hz		20W	14.8V DC	1700mA
DU20W1750C		20W	14.3V DC	1750mA	SM1, BF, BF1, F2, F3, MB2
DU20W1820C		20W	13.8V DC	1820mA	SM1, BF, BF1, F2, F3, MB2
DU20W1900C		20W	13.2V DC	1900mA	SM1, BF, BF1, F2, F3, MB2
DU20W2000C		20W	12.5V DC	2000mA	SM1, BF, BF1, F2, F3, MB2
DU20W2050C		20W	12.2V DC	2050mA	SM1, BF, BF1, F2, F3, MB2
DU20W2100C		20W	11.9V DC	2100mA	SM1, BF, BF1, F2, F3, MB2
DU20W2200C		20W	11.4V DC	2200mA	SM1, BF, BF1, F2, F3, MB2
DU20W2350C		20W	10.7V DC	2350mA	SM1, BF, BF1, F2, F3, MB2
DU20W2400C		20W	10.5V DC	2400mA	SM1, BF, BF1, F2, F3, MB2
DU20W2450C		20W	10.3V DC	2450mA	SM1, BF, BF1, F2, F3, MB2
DU20W2500C	20W	10.0V DC	2500mA	SM1, BF, BF1, F2, F3, MB2	

CONSTANT VOLTAGE					
Model Number	Input Voltage	Wattage	Output Voltage	Output Current	Available Form Factor
DU20W12V	220-240V AC 50/60Hz	20W	12V DC	2000mA	SM1, BF, BF1, F2, F3, MB2,
DU20W24V		20W	24V DC	1000mA	SM1, BF, BF1, F2, F3, MB2

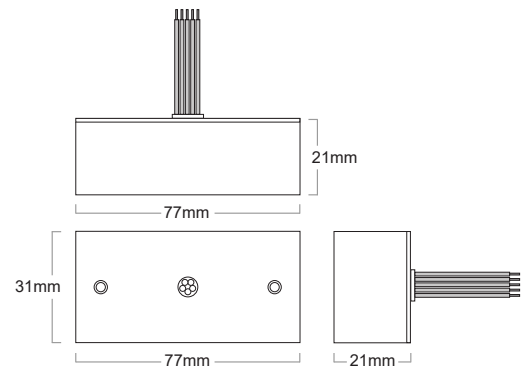
MECHANICAL SPECS

FORM FACTOR	DIMENSIONS
SM1	4.4"(111mm) x 1.7"(43mm) x 0.9"(24mm)
BF	3"(77mm) x 1.2"(31mm) x 0.8"(21mm) (mounting studs)
BF1	3"(77mm) x 1.2"(31mm) x 0.8"(21mm) (no mounting studs)
F2	5.8"(148mm) x 1.5"(39mm) x 0.9"(24mm)
F3	3.5"(90mm) x 2.4"(63mm) x 1.1"(30mm)
MB2	1.7"(68mm) x 1.6"(40mm) x 0.9"(22mm)
PL1DM	3.5"(90mm) x 1.9"(49mm) x 1.3"(33mm)

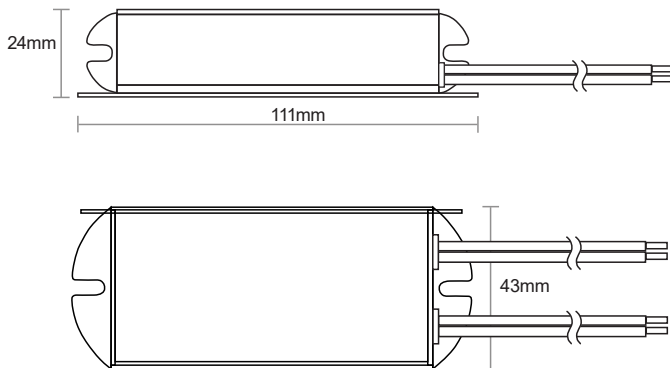
BF



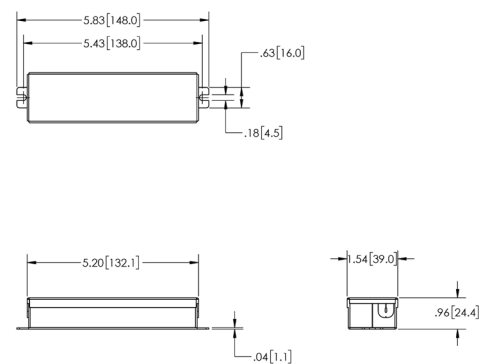
BF1



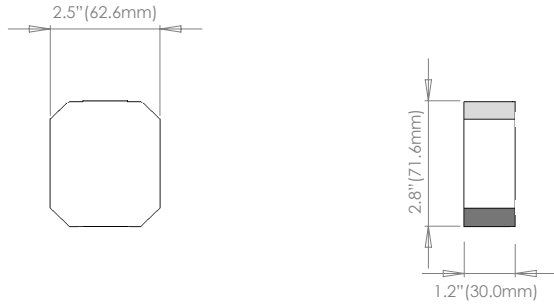
SM1



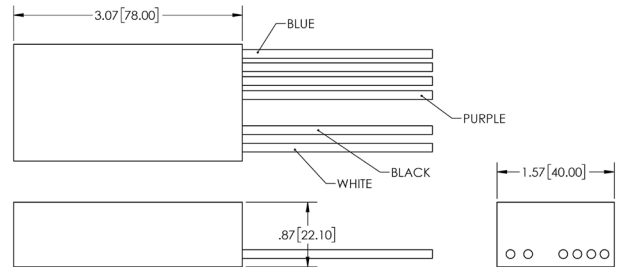
F2



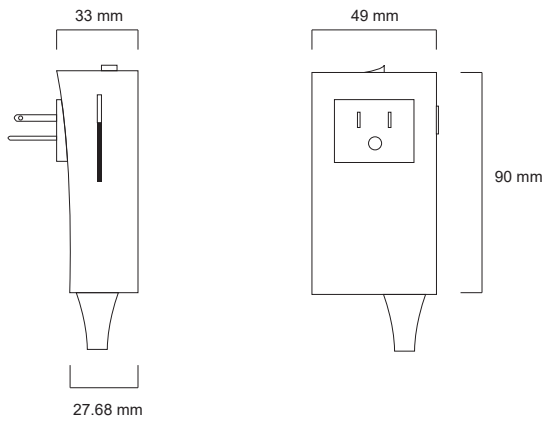
F3



MB2



PL1DM



REMOTE ENCLOSURES

FORM FACTOR	DIMENSIONS
G2	233.1 x 85.5 x 48.9mm
G3	280 x 103 x 56mm

G2

G3

