

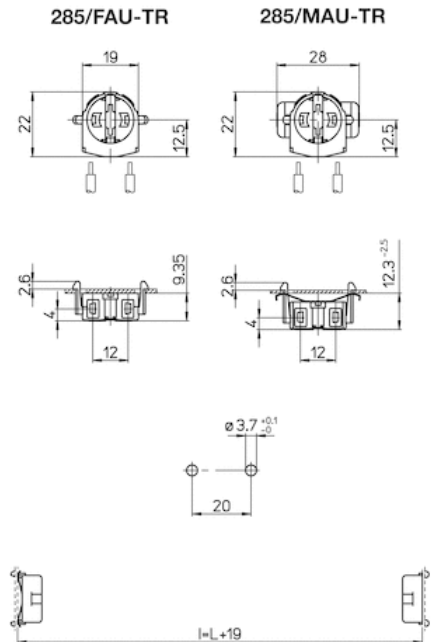
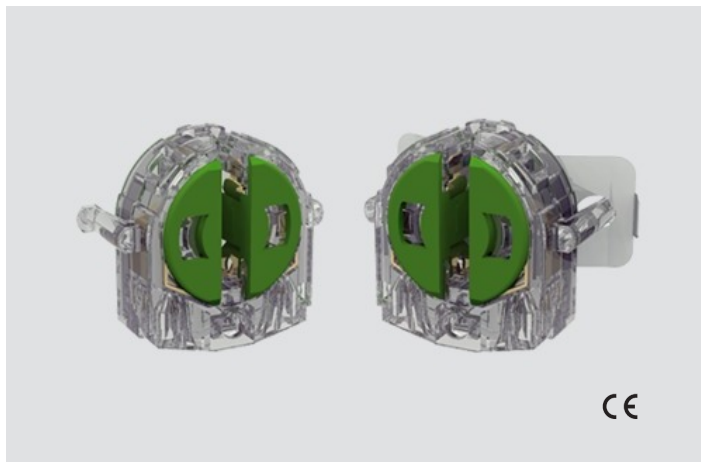
285/FAU-TR 285/MAU-TR

G5

2A-500V

T130

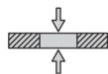
Tm110



LAMPHOLDERS

- Transparent polycarbonate body
- Copper alloy contacts
- With top test

PRODUCT CHARACTERISTICS



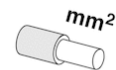
0,6-1,2



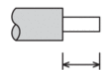
9,35



90°



0,5-1



8-9



1115

[DOWNLOAD LEGEND >](#)

CERTIFICATIONS



120W-600V
HT120
(UL496)



A.A.G. STUCCHI s.r.l. u.s. Via IV Novembre 30/32, 23854 Olginate (LC) - R.I. Lecco, Cod. Fisc. P. IVA IT 02855630139 Cap. Soc. €10.000.000 i.v.