

MEDIUM AND MINIATURE BI-PIN LAMPHOLDERS

G5/G13 Base



LINEAR FLUORESCENT

Medium Bi-Pin Lampholders for T-8 and T-12 Lamps – G13 Base

Automatic Locking & Ejection (T-8 only)

Nos. 486 & 487 furnished in pairs. Molded in white. Steel mounting bracket riveted to body. Mounting hole tapped #6-32. Leads are No. 18 AWG 105°C AWM-TEW plastic insulated wire, 6" long, stripped 3/4" (other type leads and lengths available).

Cat. Nos. 486 & 487

- 660W-250V • UL Listed E-5833 • CSA Certified LR-5863

Thin, Rapid-Start Quickwire

Each contact has two wire-slot terminals to accommodate all circuit requirements, including jumper connection for rapid-start circuits. Accepts No. 18 AWG wire, stripped-and-twisted 3/8" or solder-dipped full length. Release slots at each connection. One-screw mounting. Recess in rear for optional bracket-mounting.

Suggested max. bracket thickness: .047".

Back-to-back dimension: Nominal lamp length less 1/16". No. 431-02W same as No. 431, except mounting hole tapped #8-32.

Cat. No. 431

- 660W-600V • UL Listed E-5833 • CSA Certified LR-1863 • NOM Certified 057



486



487



431



420

SECTION A

Miniature Bi-Pin Lampholder for Standard T5 Lamps – G5 Base

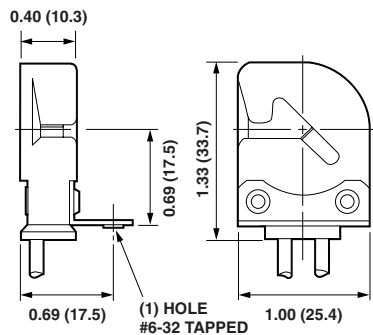
(Not Suitable for High Output)

Molded black or white (-00W). Wired through back or flush with insulating mounting bracket. Special mounting brackets available. Leads are No. 18 AWG 105°C AWM-TEW plastic insulated wire, 6" long, stripped 3/4".

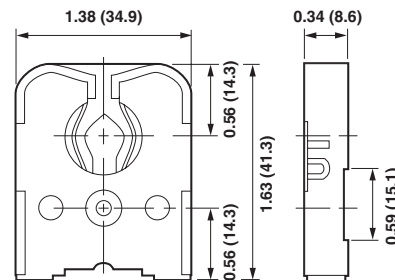
Standard pack: bulk

Cat. No. 420

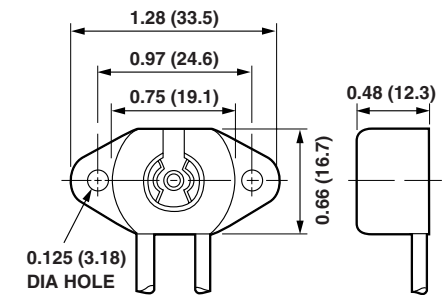
- 75W-250V • UL Listed E-5833 • CSA Certified LR-5863 • NOM Certified 057



Cat. No. 487



Cat. No. 431



Cat. No. 420