

DIMMABLE ELECTRONIC LOW VOLTAGE TRANSFORMER

Input Voltage	120Vac, 277VAC - 50-60Hz
Output	11.5 VAC
Enclosure Material	Aluminum
Weight	2.4 oz.
Power Factor	0.98
Operating Frequency	25KHz
Total Harmonic Dstortion	≤ 20%
Input	8", 18AWG stranded, 105 degree C stripped 3/8" tinned
Output	6", 18AWG stranded, 105 degree C stripped 3/8" tinned

ENVIRONMENTAL SPECIFICATIONS:

Maximum Case Temperature	90°C
Minimum Starting Temperature	-18°C
Sound Rating	A+
Operating Humidity	95% relative humidity, non-condensating
Environmental Protection	Epoxy Sealed for moisture resistance and shock/vibration resistance

PRODUCT FEATURES :

- High Reliability
- Moisture Resistant
- Emits no audible noise
- Low Harmonic Distortion
- High power factor
- Lightweight, compact design
- Small case size
- Works with most commercially available dimmers. Hardwire electronic dimmers are recommended for optimum performance.

APPROVALS:

- Class P Type 1
Outdoors
- Class 2 Approved



ELECTRICAL FEATURES:

Electronic Short-Circuit Protection

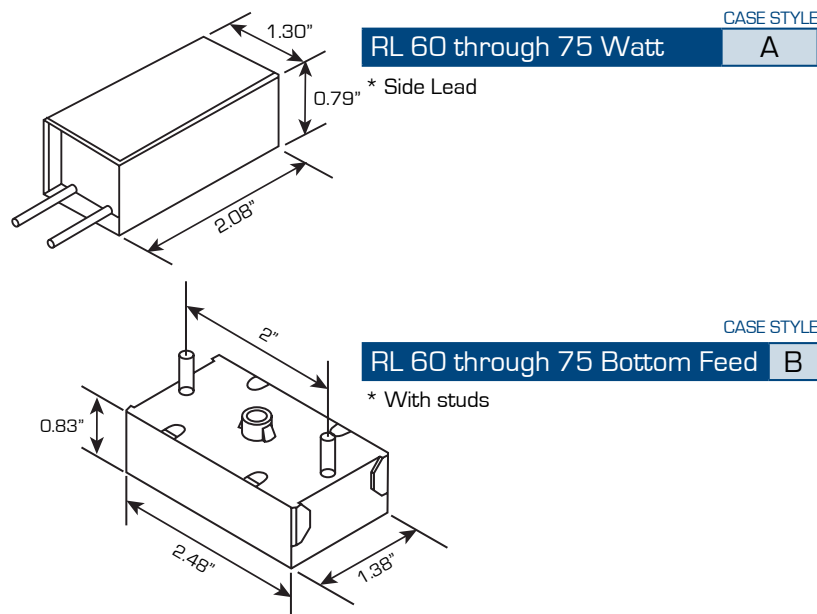
All hatch low-voltage transformers employ our (ESP) Electronic Short Circuit and overload Protection. The ESP sensing circuit will instantly shut down the output before any of the components are stressed if a short circuit or over load is detected. The transformer will automatically reset as soon as the fault is corrected.

HARDWIRE ELECTRONIC

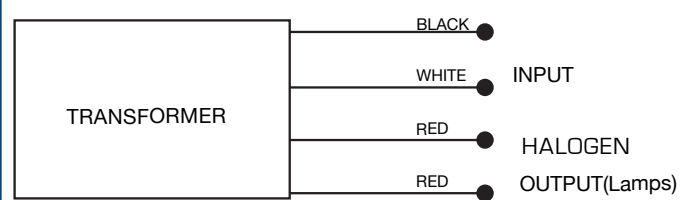
Max Watts	Min Watts	Hatch Part Number	Input Volts	Output Volts	Input Amps	Output Amps	Case Style	Safety Listing
60	10	RL12-60A	120	11.5	0.50	5.3	A	UL/C-UL Recognized, Class 2
75 Watt								
75	10	RL12-75A	120	11.5	0.63	6.3	A	UL/C-UL Recognized, Class 2
		RL12-75ABF					B	
		RL12-75A-277*	277		0.27	6.25	A	
		RL12-75ABF-277*					B	

* NOTE: Must use a minimum of 20 watts when using dimmers. It is also important to confirm dimming controls compatibility with the manufacturer and your Hatch representative. 277 Volt dimming not recommended.

DIMENSIONS:



WIRING DIAGRAM:



NOTES: