

LEDR-1 LED Emergency Unit



Project:	
Type:	
Catalog #:	

STANDARD



OPTIONAL



ILLUMINATION

- Long lasting, efficient, ultra bright white LED lamp heads.
- 1W (8 LEDs x 0.125 watt) per head.
- High performance chrome-plated metallized reflector and plastic lens for optimal light distribution.
- Adjustable LED lamp heads provide optimal center-to-center spacing. High-lumen option available for increased center-to-center spacing.

ELECTRICAL

- Dual 120/277 voltage standard. Optional 120/347V (for Canada) and multi-tap 208/220/240 voltage available.
- Charge rate/power "ON" LED indicator light and push-to-test switch for mandated code compliance testing.
- 3.6V long life, maintenance-free, rechargeable NiCd battery.
- Internal solid-state transfer switch automatically connects the internal battery to LED lamp heads for minimum 90-minute emergency illumination.
- Fully automatic solid-state, two rate charger initiates battery charging to recharge a discharged battery in 24 hours.

MOUNTING

- Surface mount via easy connect back plate, which fits most standard junction boxes and snaps into place making internal electrical connections.
- Suitable for wall or ceiling mount.
- Knockout for conduit applications.

HOUSING

- Injection-molded, engineering grade, 5VA flame retardant, high-impact resistant, thermoplastic in white or black finish.

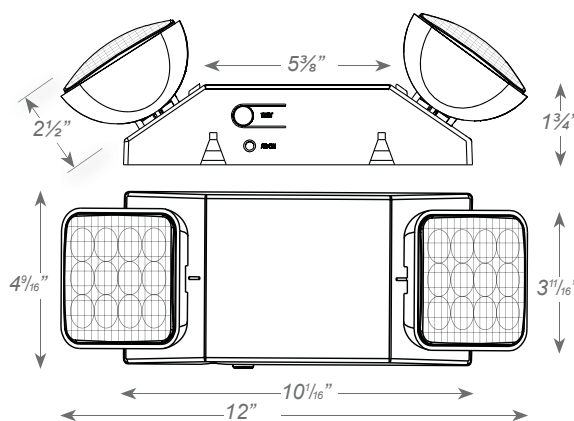
OPTIONS

- SDT: Self-diagnostic feature performs monthly, biannual, and annual tests to ensure reliable operation and meet electrical and life safety codes.
- HL: 12-LEDs per head provide increased center-to-center spacing.
- SPV: UL Listed for special voltage option.
- CSA: Tested to meet requirements of CSA C22.2 No. 141.10 standard for emergency lighting equipment.
- CEC: Certified to CEC under Title 20

WARRANTY / LISTING

- Five year warranty on all electronics and housing. Batteries pro rated for five years.
- UL (standard)/CSA (optional) listed for damp locations (0°C – 50°C).
- Meets UL924, NFPA 101 Life Safety Code, NEC, OSHA, Local and State Codes.

DIMENSIONS



ORDERING INFORMATION

MODEL	HOUSING COLOR	OPTIONS
LEDR-1	Blank White	SDT Self-diagnostics
	B Black	SPV 208/220/240 Volt, 50/60Hz ¹
		HL High-Lumen
		CSA 120/347V, 60Hz
		CEC Title 20 Compliant ²

Sample Part Number: **LEDR-1**

¹ Not available with SDT options.

² Not available with SPV or CSA options.

LEDR-1 LED Emergency Unit



Project:	
Type:	
Catalog #:	

ELECTRICAL INFORMATION

CATALOG NUMBER	INPUT WATTS (W)						INPUT AMPS (A)					
	120V	277V	347V	208V	220V	240V	120V	277V	347V	208V	220V	240V
LEDR-1	1.8	1.8	-	2.6	3.5	3.1	0.022	0.010	-	0.024	0.029	0.025
LEDR-1 SDT	1.6	1.6	-	-	-	-	0.020	0.010	-	-	-	-
LEDR-1-CSA	2.0	-	2.0	-	-	-	0.023	-	0.008	-	-	-

CENTER-TO-CENTER SPACING GUIDELINES

For reference only.



1	0.2	0.3	0.5	0.4	0.4	0.5	0.6	0.8	1.0	0.8	0.9	0.8	0.4	0.2	0.2	
2	0.3	0.5	0.7	0.8	0.9	0.8	0.9	1.0	1.1	1.4	1.1	0.8	0.5	0.3	0.2	
3	0.4	0.7	1.0	1.0	1.1	1.1	1.1	1.3	1.4	1.1	0.9	0.9	0.7	0.5	0.2	
4	0.5	0.7	0.9	1.1	1.2	1.2	1.0	1.1	1.1	1.0	1.1	0.8	0.6	0.3	0.2	
5	0.5	0.7	0.8	0.8	1.0	1.1	0.8	0.8	1.0	0.9	0.6	0.5	0.4	0.3	0.2	
6	0.4	0.5	0.7	0.7	0.8	0.8	0.6	0.5	0.6	0.5	0.4	0.4	0.3	0.2	0.2	
	7	6	5	4	3	2	1	0	1	2	3	4	5	6	7	8

Meets NFPA 101 Requirements for: 10' center-to-center spacing - 3' path of egress 1' from wall - 7 1/2' mounting height.