

18W DA18W 120V Series

Constant Current / Constant Voltage



Efficiency	>85%
Power Factor	>0.95
Case TC	90°C Max.
Protection	Input / Output
Storage	-30°C / +90°C
Humidity	95% RH Max.
IP Rating	IP 60, 65, 67
Class	Class 2 Power Supply
Dimming	ELV / TRIAC Dimmable
Optional Dimming	0-10V / DALI



- Isolated output power per NEC and UL safety requirements
- UL and ETL recognized / Listed, UL8750, 1310
- Auto-reset; Short circuit, overload and thermal protection
- Dimmable with ELV and TRIAC type dimmers

FEATURES

- Aluminum casing for optimal heat dissipation
- Low profile, small form factor, junction box mountable
- Flicker free dimming and excellent dimming range
- Class 2 power supply and other than Class 2 options
- Efficient, high power factor, low THD, FCC compliant

MODEL KEY

Model Number Key - Constant Current

(L)	DS	96W	2800C	1834	BR1	UD	(REO)	-3002
UL Listed (Option)	Input Voltage DS = 120-277VAC DA = 120VAC DE = 277VAC DU = 220-240VAC	Wattage	2800mA Constant Current	18V-34V DC Output Voltage Range	Case Form Factor	UniDriver Series Tri-Mode Dimmable	Remote Enclosure RE = Indoor REO = Outdoor (Option)	Manufacturer Code

Model Number Key - Constant Voltage

(L)	DS	96W	24V	BR1	UD	(REO)	-3002
UL Listed (Option)	Input Voltage DS = 120-277VAC DA = 120VAC DE = 277VAC DU = 220-240VAC	Wattage	24V DC Constant Voltage	Case Form Factor	UniDriver Series Tri-Mode Dimmable	Remote Enclosure RE = Indoor REO = Outdoor (Option)	Manufacturer Code

MODEL SPECIFICATIONS

CONSTANT CURRENT

Model Number	Input Voltage	Wattage	Input Current	Output Voltage	Output Current	Available Form Factor
DA18W350C	120V AC 50/60Hz	18W	0.15A	51.5V DC	350mA	BF, BF1, D1, SM1, F2, F3, PL1, T11

CONSTANT CURRENT

Model Number	Input Voltage	Wattage	Input Current	Output Voltage	Output Current	Available Form Factor
DA18W420C	120V AC 50/60Hz	18W	0.15A	42.9V DC	420mA	BF, BF1, D1, SM1, F2, F3, PL1, T11
DA18W440C	120V AC 50/60Hz	18W	0.15A	40.9V DC	440mA	BF, BF1, D1, SM1, F2, F3, PL1, T11
DA18W500C	120V AC 50/60Hz	18W	0.15A	36.0V DC	500mA	BF, BF1, D1, SM1, F2, F3, PL1, T11
DA18W550C	120V AC 50/60Hz	18W	0.15A	32.8V DC	550mA	BF, BF1, D1, SM1, F2, F3, PL1, T11
DA18W620C	120V AC 50/60Hz	18W	0.15A	29.1V DC	620mA	BF, BF1, D1, SM1, F2, F3, PL1, T11
DA18W700C	120V AC 50/60Hz	18W	0.15A	25.8V DC	700mA	BF, BF1, D1, SM1, F2, F3, PL1, T11
DA18W750C	120V AC 50/60Hz	18W	0.15A	24.0V DC	750mA	BF, BF1, D1, SM1, F2, F3, PL1, T11
DA18W780C	120V AC 50/60Hz	18W	0.15A	23.1V DC	780mA	BF, BF1, D1, SM1, F2, F3, PL1, T11
DA18W900C	120V AC 50/60Hz	18W	0.15A	20.0V DC	900mA	BF, BF1, D1, SM1, F2, F3, PL1, T11
DA18W950C	120V AC 50/60Hz	18W	0.15A	18.9V DC	950mA	BF, BF1, D1, SM1, F2, F3, PL1, T11
DA18W980C	120V AC 50/60Hz	18W	0.15A	18.4V DC	980mA	BF, BF1, D1, SM1, F2, F3, PL1, T11
DA18W1000C	120V AC 50/60Hz	18W	0.15A	18.0V DC	1000mA	BF, BF1, D1, SM1, F2, F3, PL1, T11
DA18W1050C	120V AC 50/60Hz	18W	0.15A	17.2V DC	1050mA	BF, BF1, D1, SM1, F2, F3, PL1, T11
DA18W1100C	120V AC 50/60Hz	18W	0.15A	16.4V DC	1100mA	BF, BF1, D1, SM1, F2, F3, PL1, T11
DA18W1130C	120V AC 50/60Hz	18W	0.15A	15.9V DC	1130mA	BF, BF1, D1, SM1, F2, F3, PL1, T11
DA18W1180C	120V AC 50/60Hz	18W	0.15A	15.0V DC	1180mA	BF, BF1, D1, SM1, F2, F3, PL1, T11
DA18W1250C	120V AC 50/60Hz	18W	0.15A	14.5V DC	1250mA	BF, BF1, D1, SM1, F2, F3, PL1, T11

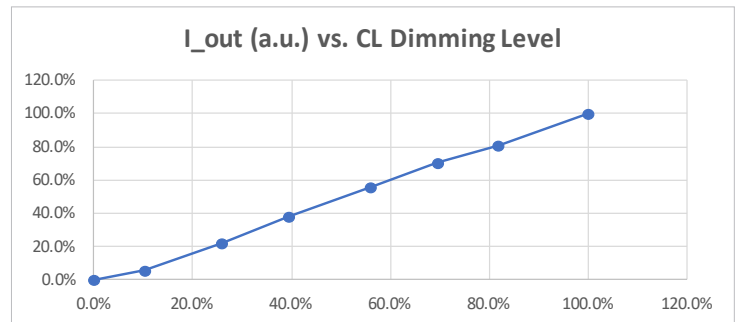
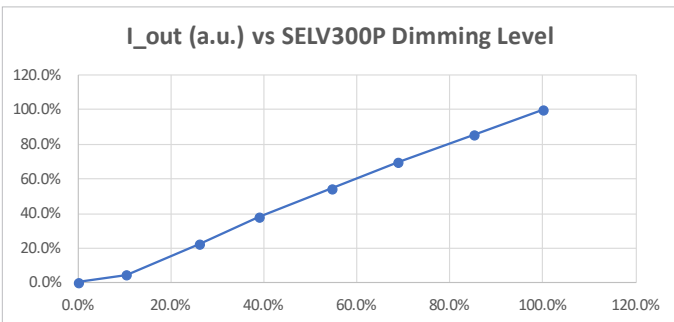
CONSTANT VOLTAGE

Model Number	Input Voltage	Wattage	Input Current	Output Voltage	Output Current	Available Form Factor
DA18W12V	120V AC 50/60Hz	18W	0.15A	12V DC	1500 mA	BF, BF1, D1, SM1, F2, F3, PL1, T11
DA18W24V	120V AC 50/60Hz	18W	0.15A	24V DC	750 mA	BF, BF1, D1, SM1, F2, F3, PL1, T11

DIMMING GUIDE	
MODEL#	DIMMING CODE
(L) DA18WXXXX	Standard Dimming
(L) DA18WXXXXDO10	0-10V Dimming
(L) DA18WXXXXDALI	DALI Dimming

REMOTE ENCLOSURE OPTION	
MODEL#	REMOTE ENCLOSURE
LDA18WXXXXRE	G1, G2
LDA18WXXXXREO	G3, G4

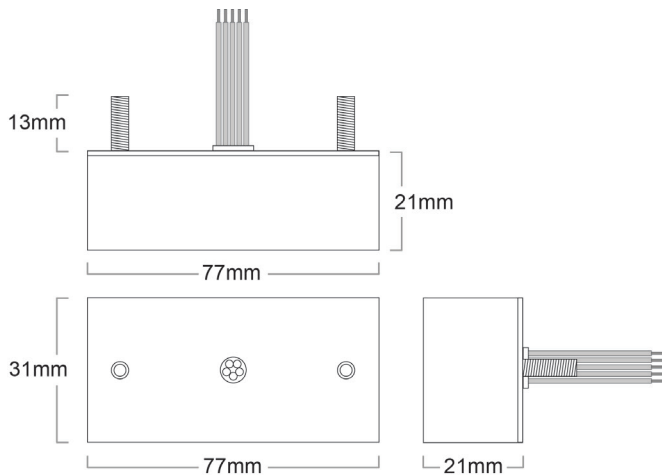
DIMMING CURVES



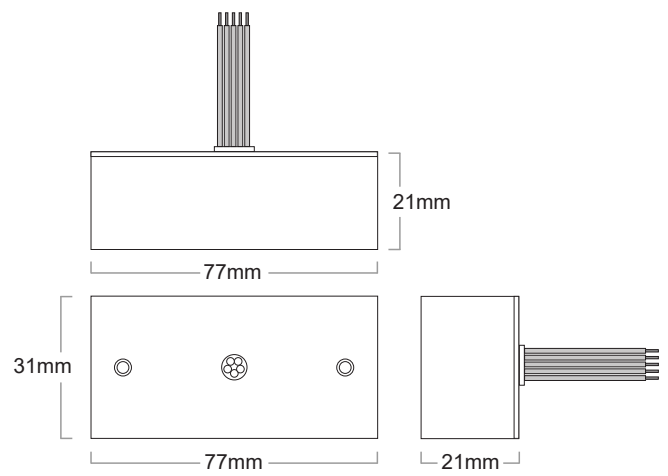
MECHANICAL SPECS

FORM FACTOR	DIMENSIONS
BF	77.4 x 38.1 x 24.5mm (mounting studs)
BF1	77.4 x 38.1 x 24.5mm (no mounting studs)
SM1	110 (96) x 50 x 24mm
F2	132 x 37 x 24.5mm
F3	71.6 x 62.6 x 30mm
D1	39.5 X 75mm
T11	95 (77) x 31 x 21mm

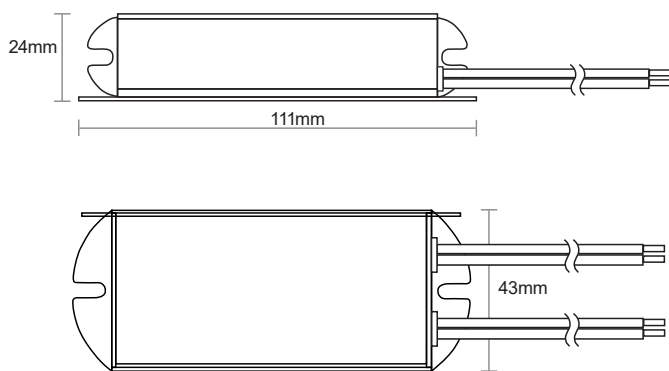
BF



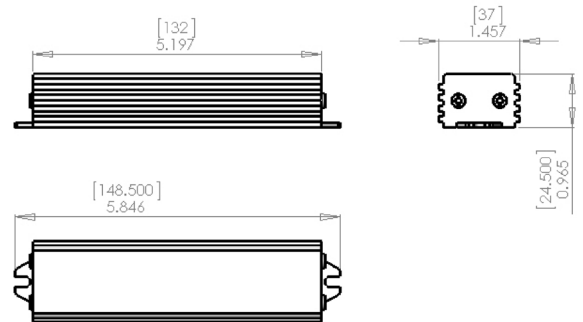
BF1



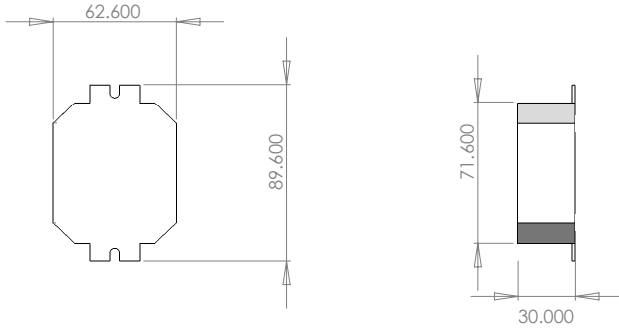
SM1



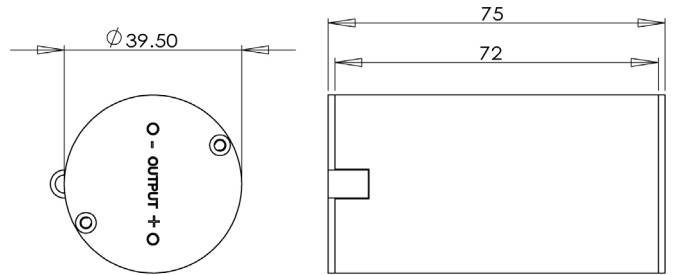
F2



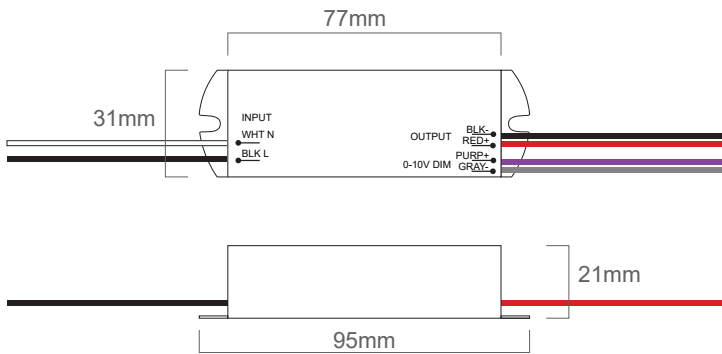
F3



D1



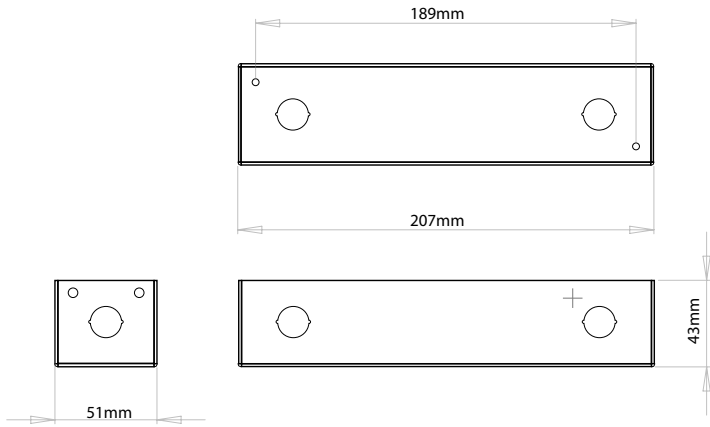
T11



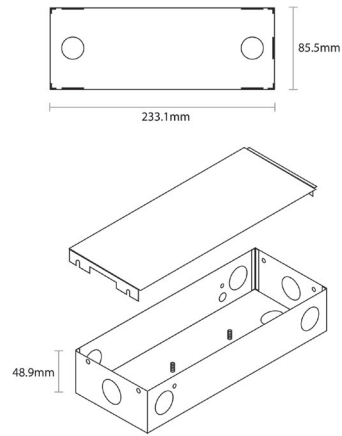
REMOTE ENCLOSURE SPECS

REMOTE ENCLOSURE OPTION	FORM FACTOR	DIMENSIONS
LDA18WXXXRE	G1	207 x 51 x 43mm
LDA18WXXXRE	G2	233.1 x 85.5 x 48.9mm
LDA18WXXXREO	G3	280 (242) x 103 x 56mm
LDA18WXXXREO	G4	238 (202) x 66 x 48mm

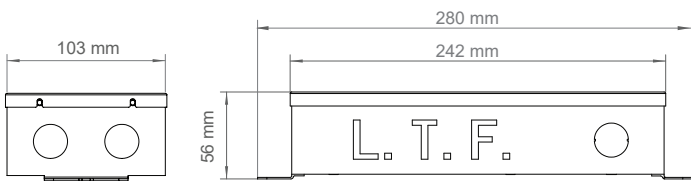
G1



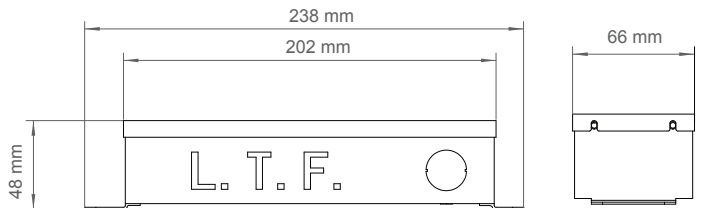
G2



G3



G4



18W DE18W 120V Series

Constant Current / Constant Voltage



Efficiency	>85%
Power Factor	>0.95
Case TC	90°C Max.
Protection	Input / Output
Storage	-30°C / +90°C
Humidity	95% RH Max.
IP Rating	IP 60, 65, 67
Class	Class 2 Power Supply
Dimming	ELV / TRIAC Dimmable
Optional Dimming	0-10V / DALI



- Isolated output power per NEC and UL safety requirements
- UL and ETL recognized / Listed, UL8750, 1310
- Auto-reset; Short circuit, overload and thermal protection
- Dimmable with ELV and TRIAC type dimmers

FEATURES

- Aluminum casing for optimal heat dissipation
- Low profile, small form factor, junction box mountable
- Flicker free dimming and excellent dimming range
- Class 2 power supply and other than Class 2 options
- Efficient, high power factor, low THD, FCC compliant

MODEL KEY

Model Number Key - Constant Current

(L)	DS	96W	2800C	1834	BR1	UD	(REO)	-3002
UL Listed (Option)	Input Voltage DS = 120-277VAC DA = 120VAC DE = 277VAC DU = 220-240VAC	Wattage 96W	2800mA Constant Current	18V-34V DC Output Voltage Range	Case Form Factor	UniDriver Series Tri-Mode Dimmable	Remote Enclosure RE = Indoor REO = Outdoor (Option)	Manufacturer Code

Model Number Key - Constant Voltage

(L)	DS	96W	24V	BR1	UD	(REO)	-3002
UL Listed (Option)	Input Voltage DS = 120-277VAC DA = 120VAC DE = 277VAC DU = 220-240VAC	Wattage 96W	24V DC Constant Voltage	Case Form Factor	UniDriver Series Tri-Mode Dimmable	Remote Enclosure RE = Indoor REO = Outdoor (Option)	Manufacturer Code

MODEL SPECIFICATIONS

CONSTANT CURRENT

Model Number	Input Voltage	Wattage	Input Current	Output Voltage	Output Current	Available Form Factor
DE18W350C	277V AC 50/60Hz	18W	0.07A	51.5V DC	350mA	BF, BF1, D1, SM1, F2, F3, PL1, T11

CONSTANT CURRENT

Model Number	Input Voltage	Wattage	Input Current	Output Voltage	Output Current	Available Form Factor
DE18W420C	277V AC 50/60Hz	18W	0.07A	42.9V DC	420mA	BF, BF1, D1, SM1, F2, F3, PL1, T11
DE18W440C	277V AC 50/60Hz	18W	0.07A	40.9V DC	440mA	BF, BF1, D1, SM1, F2, F3, PL1, T11
DE18W500C	277V AC 50/60Hz	18W	0.07A	36.0V DC	500mA	BF, BF1, D1, SM1, F2, F3, PL1, T11
DE18W550C	277V AC 50/60Hz	18W	0.07A	32.8V DC	550mA	BF, BF1, D1, SM1, F2, F3, PL1, T11
DE18W620C	277V AC 50/60Hz	18W	0.07A	29.1V DC	620mA	BF, BF1, D1, SM1, F2, F3, PL1, T11
DE18W700C	277V AC 50/60Hz	18W	0.07A	25.8V DC	700mA	BF, BF1, D1, SM1, F2, F3, PL1, T11
DE18W750C	277V AC 50/60Hz	18W	0.07A	24.0V DC	750mA	BF, BF1, D1, SM1, F2, F3, PL1, T11
DE18W780C	277V AC 50/60Hz	18W	0.07A	23.1V DC	780mA	BF, BF1, D1, SM1, F2, F3, PL1, T11
DE18W900C	277V AC 50/60Hz	18W	0.07A	20.0V DC	900mA	BF, BF1, D1, SM1, F2, F3, PL1, T11
DE18W950C	277V AC 50/60Hz	18W	0.07A	18.9V DC	950mA	BF, BF1, D1, SM1, F2, F3, PL1, T11
DE18W980C	277V AC 50/60Hz	18W	0.07A	18.4V DC	980mA	BF, BF1, D1, SM1, F2, F3, PL1, T11
DE18W1000C	277V AC 50/60Hz	18W	0.07A	18.0V DC	1000mA	BF, BF1, D1, SM1, F2, F3, PL1, T11
DE18W1050C	277V AC 50/60Hz	18W	0.07A	17.2V DC	1050mA	BF, BF1, D1, SM1, F2, F3, PL1, T11
DE18W1100C	277V AC 50/60Hz	18W	0.07A	16.4V DC	1100mA	BF, BF1, D1, SM1, F2, F3, PL1, T11
DE18W1130C	277V AC 50/60Hz	18W	0.07A	15.9V DC	1130mA	BF, BF1, D1, SM1, F2, F3, PL1, T11
DE18W1180C	277V AC 50/60Hz	18W	0.07A	15.0V DC	1180mA	BF, BF1, D1, SM1, F2, F3, PL1, T11
DE18W1250C	277V AC 50/60Hz	18W	0.07A	14.5V DC	1250mA	BF, BF1, D1, SM1, F2, F3, PL1, T11

CONSTANT VOLTAGE

Model Number	Input Voltage	Wattage	Input Current	Output Voltage	Output Current	Available Form Factor
DE18W12V	277V AC 50/60Hz	18W	0.07A	12V DC	1500 mA	BF, BF1, D1, SM1, F2, F3, PL1, T11
DE18W24V	277V AC 50/60Hz	18W	0.07A	24V DC	750 mA	BF, BF1, D1, SM1, F2, F3, PL1, T11

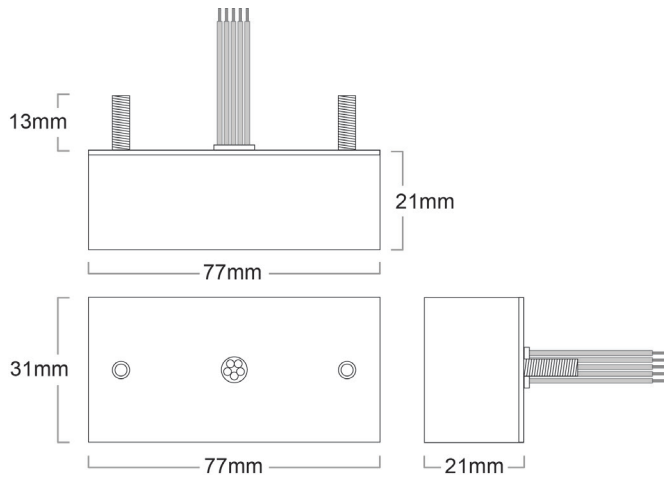
DIMMING GUIDE	
MODEL#	DIMMING CODE
(L) DE18WXXXX	Standard Dimming
(L) DE18WXXXXDO10	0-10V Dimming
(L) DE18WXXXXDALI	DALI Dimming

REMOTE ENCLOSURE OPTION	
MODEL#	REMOTE ENCLOSURE
LDE18WXXXXRE	G1, G2
LDE18WXXXXREO	G3, G4

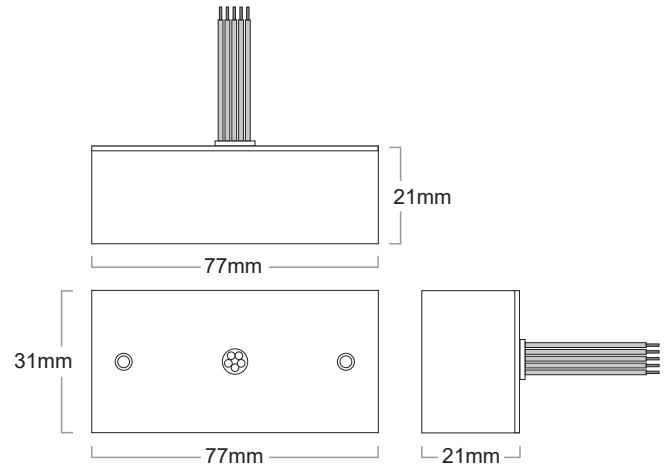
MECHANICAL SPECS

FORM FACTOR	DIMENSIONS
BF	77.4 x 38.1 x 24.5mm (mounting studs)
BF1	77.4 x 38.1 x 24.5mm (no mounting studs)
SM1	110 (96) x 50 x 24mm
F2	132 x 37 x 24.5mm
F3	71.6 x 62.6 x 30mm
D1	39.5 X 75mm
T11	95 (77) x 31 x 21mm

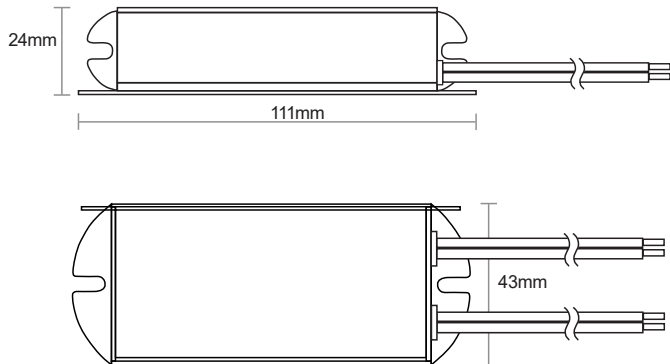
BF



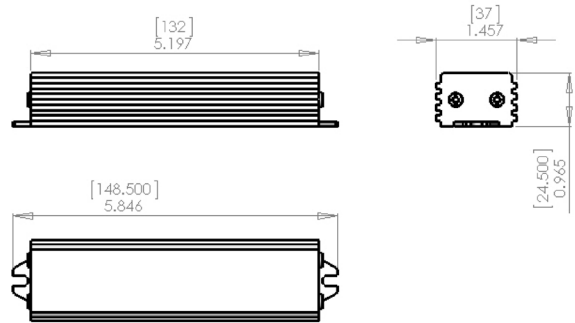
BF1



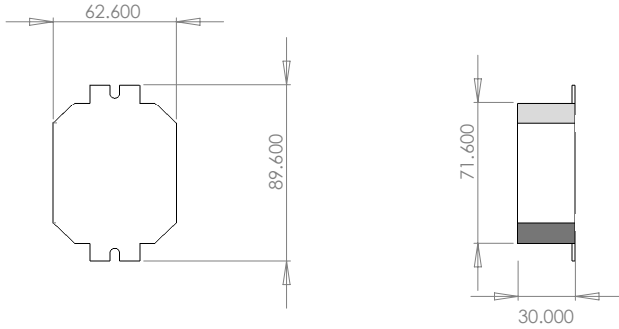
SM1



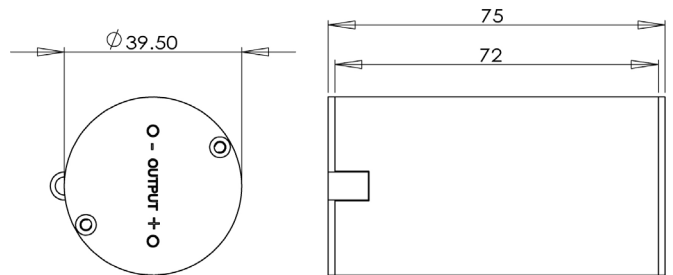
F2



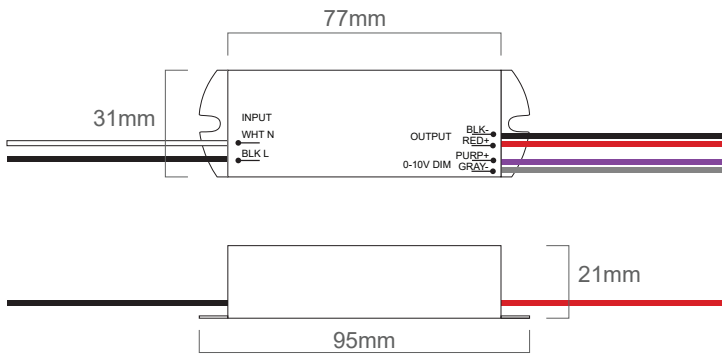
F3



D1



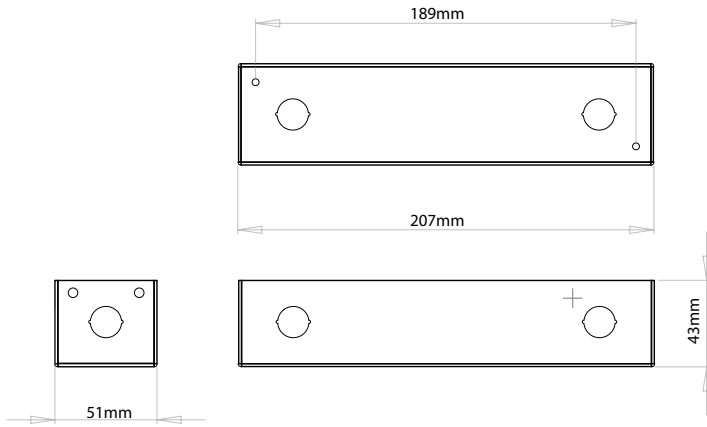
T11



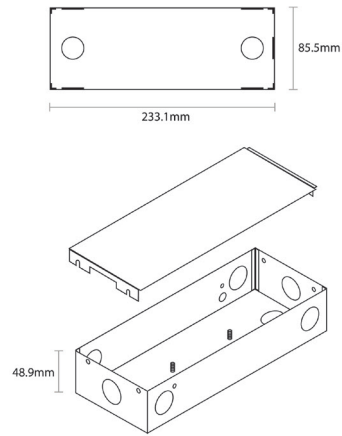
REMOTE ENCLOSURE SPECS

REMOTE ENCLOSURE OPTION	FORM FACTOR	DIMENSIONS
LDA18WXXXRE	G1	207 x 51 x 43mm
LDA18WXXXRE	G2	233.1 x 85.5 x 48.9mm
LDA18WXXXREO	G3	280 (242) x 103 x 56mm
LDA18WXXXREO	G4	238 (202) x 66 x 48mm

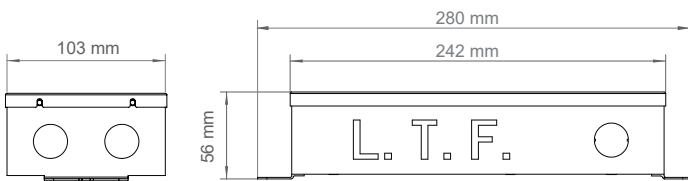
G1



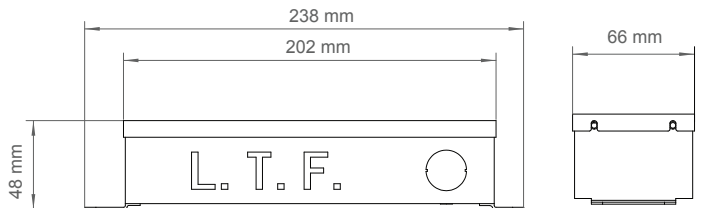
G2



G3



G4



18W DU18W 120V Series

Constant Current / Constant Voltage



Efficiency	>85%
Power Factor	>0.95
Case TC	90°C Max.
Protection	Input / Output
Storage	-30°C / +90°C
Humidity	95% RH Max.
IP Rating	IP 60, 65, 67
Class	Class 2 Power Supply
Dimming	ELV / TRIAC Dimmable
Optional Dimming	0-10V / DALI



- Isolated output power per NEC and UL safety requirements
- UL and ETL recognized / Listed, UL8750, 1310
- Auto-reset; Short circuit, overload and thermal protection
- Dimmable with ELV and TRIAC type dimmers

FEATURES

- Aluminum casing for optimal heat dissipation
- Low profile, small form factor, junction box mountable
- Flicker free dimming and excellent dimming range
- Class 2 power supply and other than Class 2 options
- Efficient, high power factor, low THD, FCC compliant

MODEL KEY

Model Number Key - Constant Current

(L)	DS	96W	2800C	1834	BR1	UD	(REO)	-3002
UL Listed (Option)	Input Voltage DS = 120-277VAC DA = 120VAC DE = 277VAC DU = 220-240VAC	Wattage 96W	2800mA Constant Current	18V-34V DC Output Voltage Range	Case Form Factor	UniDriver Series Tri-Mode Dimmable	Remote Enclosure RE = Indoor REO = Outdoor (Option)	Manufacturer Code

Model Number Key - Constant Voltage

(L)	DS	96W	24V	BR1	UD	(REO)	-3002
UL Listed (Option)	Input Voltage DS = 120-277VAC DA = 120VAC DE = 277VAC DU = 220-240VAC	Wattage 96W	24V DC Constant Voltage	Case Form Factor	UniDriver Series Tri-Mode Dimmable	Remote Enclosure RE = Indoor REO = Outdoor (Option)	Manufacturer Code

MODEL SPECIFICATIONS

CONSTANT CURRENT

Model Number	Input Voltage	Wattage	Input Current	Output Voltage	Output Current	Available Form Factor
DU18W350C	218V AC 50/60Hz	18W	0.08A	51.5V DC	350mA	BF, BF1, D1, SM1, F2, F3, PL1, T11

CONSTANT CURRENT

Model Number	Input Voltage	Wattage	Input Current	Output Voltage	Output Current	Available Form Factor
DU18W420C	218V AC 50/60Hz	18W	0.08A	42.9V DC	420mA	BF, BF1, D1, SM1, F2, F3, PL1, T11
DU18W440C	218V AC 50/60Hz	18W	0.08A	40.9V DC	440mA	BF, BF1, D1, SM1, F2, F3, PL1, T11
DU18W500C	218V AC 50/60Hz	18W	0.08A	36.0V DC	500mA	BF, BF1, D1, SM1, F2, F3, PL1, T11
DU18W550C	218V AC 50/60Hz	18W	0.08A	32.8V DC	550mA	BF, BF1, D1, SM1, F2, F3, PL1, T11
DU18W620C	218V AC 50/60Hz	18W	0.08A	29.1V DC	620mA	BF, BF1, D1, SM1, F2, F3, PL1, T11
DU18W700C	218V AC 50/60Hz	18W	0.08A	25.8V DC	700mA	BF, BF1, D1, SM1, F2, F3, PL1, T11
DU18W750C	218V AC 50/60Hz	18W	0.08A	24.0V DC	750mA	BF, BF1, D1, SM1, F2, F3, PL1, T11
DU18W780C	218V AC 50/60Hz	18W	0.08A	23.1V DC	780mA	BF, BF1, D1, SM1, F2, F3, PL1, T11
DU18W900C	218V AC 50/60Hz	18W	0.08A	20.0V DC	900mA	BF, BF1, D1, SM1, F2, F3, PL1, T11
DU18W950C	218V AC 50/60Hz	18W	0.08A	18.9V DC	950mA	BF, BF1, D1, SM1, F2, F3, PL1, T11
DU18W980C	218V AC 50/60Hz	18W	0.08A	18.4V DC	980mA	BF, BF1, D1, SM1, F2, F3, PL1, T11
DU18W1000C	218V AC 50/60Hz	18W	0.08A	18.0V DC	1000mA	BF, BF1, D1, SM1, F2, F3, PL1, T11
DU18W1050C	218V AC 50/60Hz	18W	0.08A	17.2V DC	1050mA	BF, BF1, D1, SM1, F2, F3, PL1, T11
DU18W1100C	218V AC 50/60Hz	18W	0.08A	16.4V DC	1100mA	BF, BF1, D1, SM1, F2, F3, PL1, T11
DU18W1130C	218V AC 50/60Hz	18W	0.08A	15.9V DC	1130mA	BF, BF1, D1, SM1, F2, F3, PL1, T11
DU18W1180C	218V AC 50/60Hz	18W	0.08A	15.0V DC	1180mA	BF, BF1, D1, SM1, F2, F3, PL1, T11
DU18W1250C	218V AC 50/60Hz	18W	0.08A	14.5V DC	1250mA	BF, BF1, D1, SM1, F2, F3, PL1, T11

CONSTANT VOLTAGE

Model Number	Input Voltage	Wattage	Input Current	Output Voltage	Output Current	Available Form Factor
DU18W12V	218V AC 50/60Hz	18W	0.08A	12V DC	1500 mA	BF, BF1, D1, SM1, F2, F3, PL1, T11
DU18W24V	218V AC 50/60Hz	18W	0.08A	24V DC	750 mA	BF, BF1, D1, SM1, F2, F3, PL1, T11

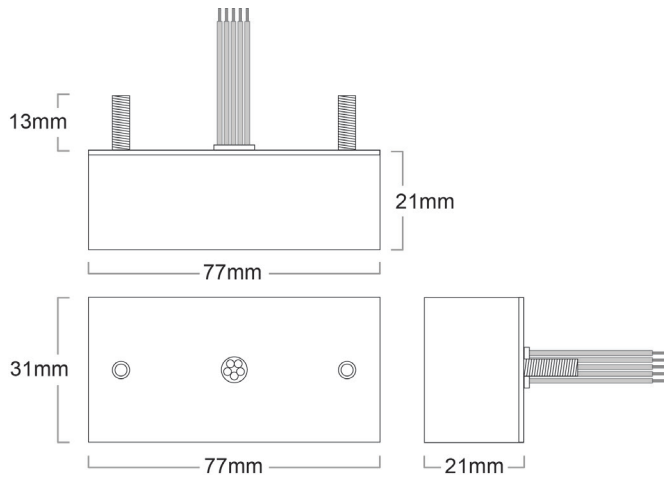
DIMMING GUIDE	
MODEL#	DIMMING CODE
(L) DU18WXXXX	Standard Dimming
(L) DU18WXXXXDO10	0-10V Dimming
(L) DU18WXXXXDALI	DALI Dimming

REMOTE ENCLOSURE OPTION	
MODEL#	REMOTE ENCLOSURE
LDU18WXXXXRE	G1, G2
LDU18WXXXXREO	G3, G4

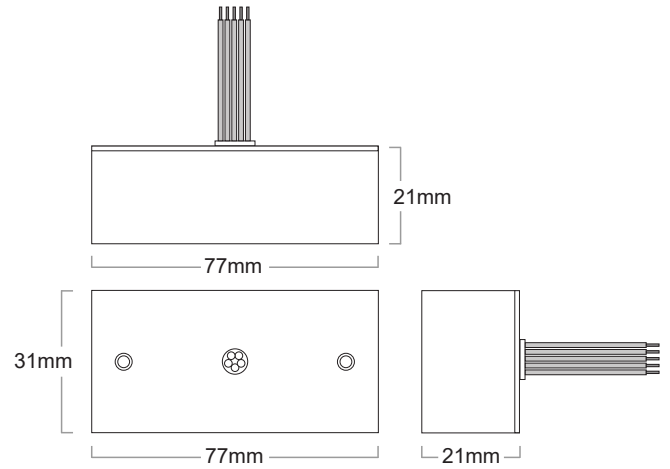
MECHANICAL SPECS

FORM FACTOR	DIMENSIONS
BF	77.4 x 38.1 x 24.5mm (mounting studs)
BF1	77.4 x 38.1 x 24.5mm (no mounting studs)
SM1	110 (96) x 50 x 24mm
F2	132 x 37 x 24.5mm
F3	71.6 x 62.6 x 30mm
D1	39.5 X 75mm
T11	95 (77) x 31 x 21mm

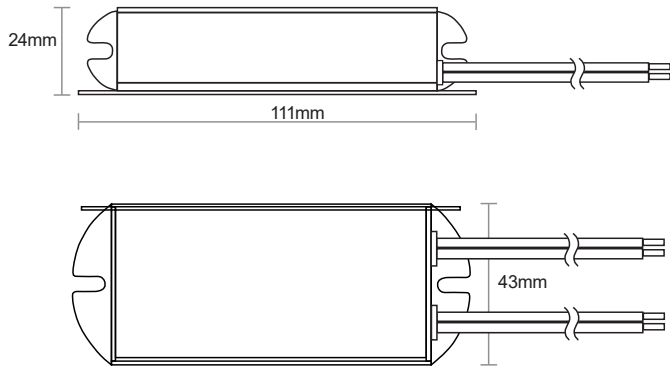
BF



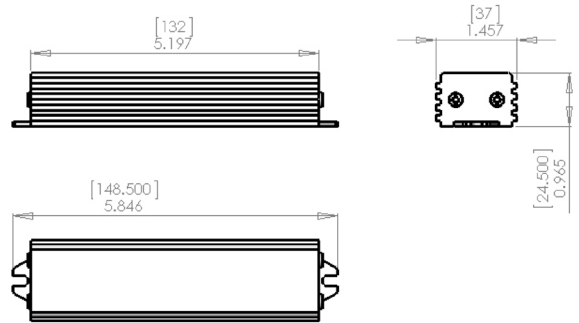
BF1



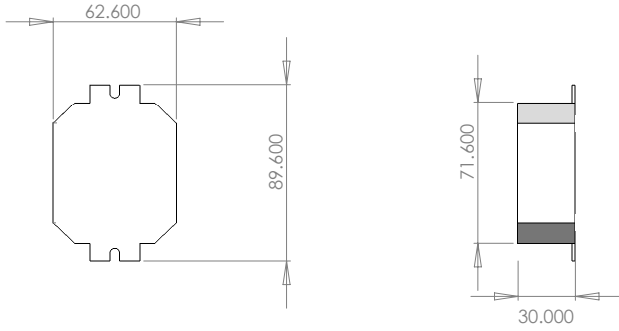
SM1



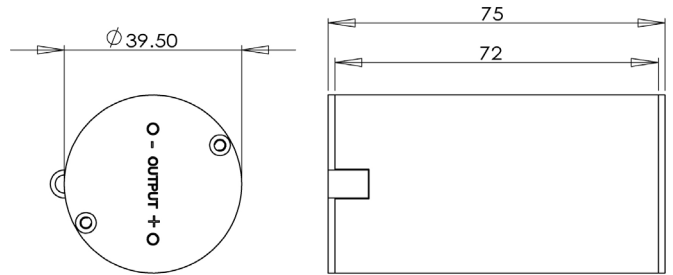
F2



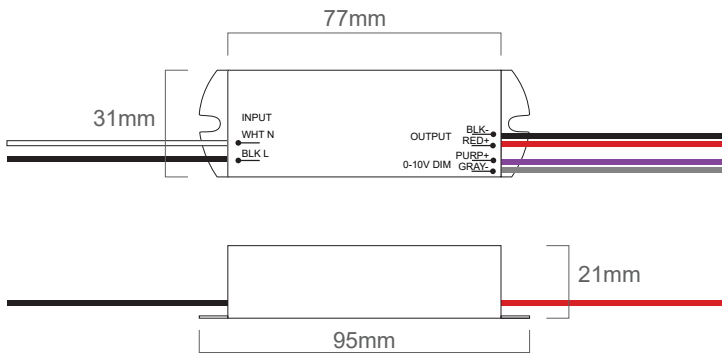
F3



D1



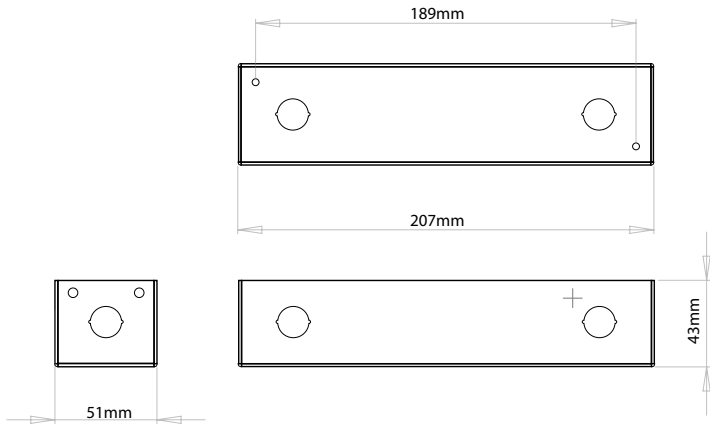
T11



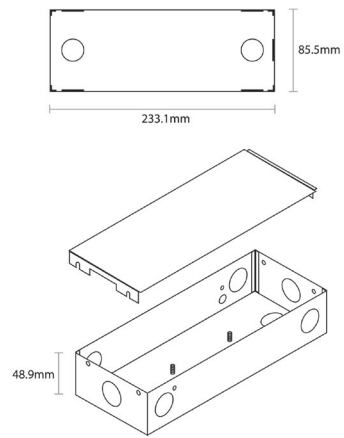
REMOTE ENCLOSURE SPECS

REMOTE ENCLOSURE OPTION	FORM FACTOR	DIMENSIONS
LDA18WXXXRE	G1	207 x 51 x 43mm
LDA18WXXXRE	G2	233.1 x 85.5 x 48.9mm
LDA18WXXXREO	G3	280 (242) x 103 x 56mm
LDA18WXXXREO	G4	238 (202) x 66 x 48mm

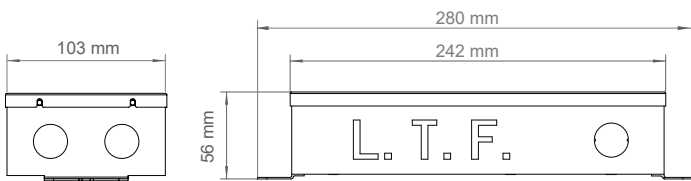
G1



G2



G3



G4

