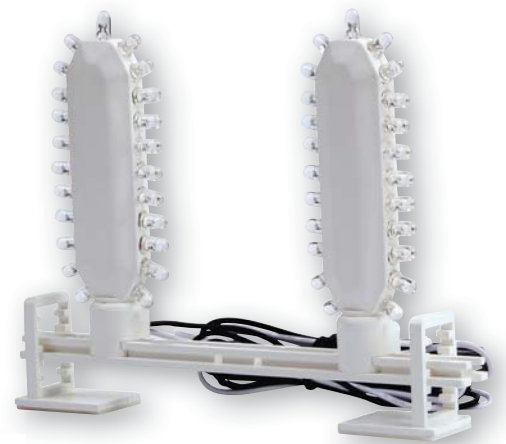


# RFXTE / GFXTE

## LED RETROFIT KITS



HARD WIRE RETROFIT KIT



SCREW-IN RETROFIT KIT

STANDARD



ACCESSORIES

RFXTE / GFXTE

### ILLUMINATION

- Kits easily convert incandescent exit signs to energy efficient LED EXIT signs.
- Ultra bright, energy efficient, long lasting Red or Green LEDs provide uniform illumination.

### ELECTRICAL

Hard wire:

- Dual 120/277 voltage.
- Energy usage of 2.8W per kit.

Screw-in:

- 120 voltage only.
- Energy usage of 2.8W per kit.

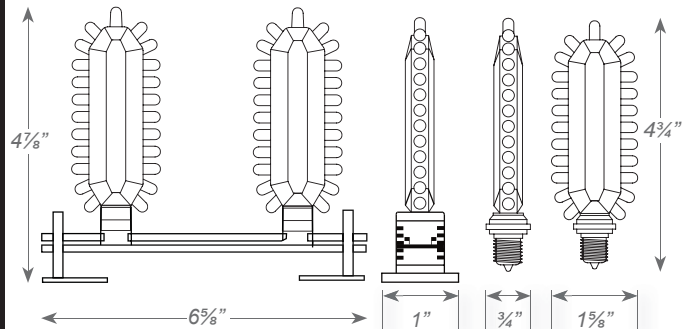
### MOUNTING

- Hard wire kits come complete with mounting bracket and double-sided tape for easy installation.
- Screw-in kits are supplied with socket adapters for installation in signs with bayonet, intermediate or candelabra bases.

### WARRANTY / LISTING

- Five year warranty.
- Meets UL924, NFPA 101 Life Safety Code, NEC, OSHA, Local and State Code.

### DIMENSIONS



|                       | INCANDESCENT       | GREEN LED KIT         | RED LED KIT            |
|-----------------------|--------------------|-----------------------|------------------------|
| EXIT Energy Use       | 30W (15W lamp x 2) | 1.4W (0.7W LED's x 2) | (2.8W (1.4W LED's x 2) |
| "ON" Hours / Year     | 8760               | 8760                  | 8760                   |
| Price / Kilowatt Hour | \$0.12             | \$0.12                | \$0.12                 |
| Energy Usage / Year   | 262,800 Watts      | 12,264 Watts          | 24,528 Watts           |
| Annual Cost           | \$ 31.54           | \$ 1.48               | \$ 2.94                |
| Watt Savings / Year   |                    | 250,536               | 238,272                |
| Annual Savings        |                    | \$ 30.06              | \$ 28.60               |

\* Example based on 12¢/KWhr

### ORDERING INFORMATION

Sample Part Number: RFXTE3

| MODEL  | KIT                |
|--------|--------------------|
| RFXTE1 | Red Hardware Kit   |
| GFXTE1 | Green Hardware Kit |
| RFXTE3 | Red Screw-in Kit   |
| GFXTE3 | Green Screw-in Kit |